

# 3MP Indoor Pan & Tilt Wi-Fi Camera

Uho-S2E-M3



## Key Features



- High quality image with 3MP, 1/3"CMOS sensor
- 3MP (2304\*1296)@25/20fps; 2MP (1920\*1080)@30/25fps; 720P (1280\*720) @30/25fps
- Ultra 265, H.265, H.264
- Built-in Mic & Speaker, support two-way audio, offer better interaction
- IR night vision, up to 10m (33ft) IR distance
- Support 256 G Micro SD card
- Wi-Fi connection and easy installation

## Specifications

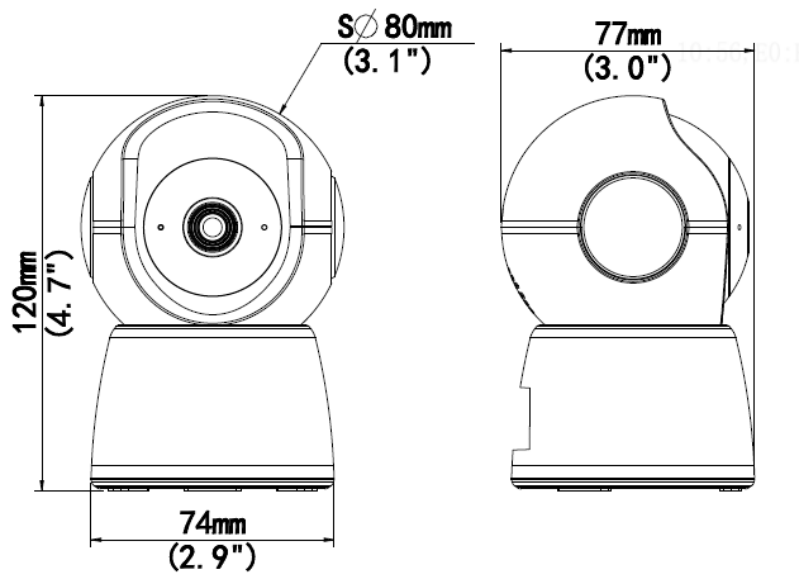
	Uho-S2E-M3
<b>Camera</b>	
Sensor	1/3", 3.0 megapixel, progressive scan, CMOS
Minimum Illumination	Colour: 0.02 lux (F2.0, AGC ON) 0 lux with IR on
Day/Night	IR-cut filter with auto switch (ICR)
Shutter	Auto/Manual, 1/4 ~ 1/100000s
WDR	DWDR
S/N	>52dB
<b>Lens</b>	
Lens Type	4.0mm @F2.0
Iris	Fixed
Angle of View (H)	78.2°
Angle of View (V)	41.8°
Angle of View (O)	84.4°
<b>Illuminator</b>	
IR Range	Up to 10m (33ft)
Wavelength	850nm
IR On/Off Control	Auto/Manual
<b>Video</b>	
Video Compression	Ultra 265, H.265, H.264
Frame Rate	Main Stream: 3MP (2304*1296), Max 25fps; 2MP (1920*1080), Max 30fps; 720P (1280*720), Max 30fps; Sub Stream: 640*360, Max 25fps; 2CIF(704*288), Max 25fps; CIF(352*288), Max 25fps;;
Video Bit Rate	128 Kbps~6144 Kbps
ROI	Up to 8 areas
Video Stream	Dual streams
OSD	Up to 2 OSDs
Privacy Mask	Up to 4 areas
<b>Image</b>	
White Balance	Auto/Outdoor/Fine Tune/Sodium Lamp/Locked/Auto2
Digital Noise Reduction	2D/3D DNR
Smart IR	Support
Flip	Normal/Flip Vertical/Flip Horizontal/180°
HLC	N/A
BLC	N/A
Defog	Digital Defog
<b>Events</b>	
Basic Detection	Human body detection, Motion detection, Audio Detection
Auto tracking	Support
General Function	IP address filtering, Access policy, ARP protection, RTSP authentication, User authentication, HTTP authentication
<b>Audio</b>	
Audio Compression	G.711U,G.711A

Audio Bitrate	64 Kbps
Two-way Audio	Support
Suppression	Support
Sampling Rate	8 kHz
<b>Storage</b>	
Edge Storage	Micro SD, up to 256GB
Network Storage	ANR
<b>Network</b>	
Wi-Fi	2.4G Wi-Fi (IEEE802.11b/g/n), built-in antenna
Protocols	IPv4, TCP, UDP, DHCP, RTSP, DNS, DDNS, NTP, HTTP
Compatible Integration	API
Client	Uniarch Client Uniarch APP
Web Browser	Plug-in required live view: IE 10 and above, Chrome 45 and above, Firefox 52 and above, Edge 79 and above
	Plug-in free live view: Chrome 57.0 and above, Firefox 58.0 and above, Edge 16 and above
<b>Pan &amp; Tilt</b>	
Pan Range	0° ~ 340°
Pan Speed	17°/s ~ 50°/s
	Preset speed: 50°/s
Tilt Range	-5° ~ 55°
Tilt Speed	17°/s ~ 50°/s
	Preset speed: 50°/s
Number of Presets	20
Home Position	Support
<b>Interface</b>	
Built-in Mic	Support
Built-in Speaker	Support
WIFI	Support
Network	1 * RJ45 10M/100M Base-TX Ethernet
<b>Certifications</b>	
EMC	CE EMC (EN 55032,EN 61000-3-3,EN IEC 61000-3-2,EN 55035) FCC (FCC 47 CFR part15 B)
RF	FCC ID (FCC CFR 47 part15 C) CE RED (EN 301 489-1, EN 301 489-17, EN 300 328, EN 62311)
Safety	CE LVD (EN 62368-1)
Environment	CE-RoHS (2011/65/EU;(EU)2015/863); WEEE (2012/19/EU)
<b>General</b>	
Power	DC 5V/1.5A
	Micro USB interface
Dimensions (Ø x H)	Ø80 x 120mm (Ø3.1" x 4.8")
Weight	0.18kg(0.40lb)
Working Environment	-10°C~55°C(-14°F ~ 131°F), Humidity: ≤95% RH (non-condensing)
Storage Environment	-10°C~55°C(-14°F ~ 131°F), Humidity: ≤95% RH (non-condensing)
Surge Protection	N/A
Reset Button	Support

LED indicator

1, red/blue

## Dimensions



[www.uniview.com/uniarch](http://www.uniview.com/uniarch)

©2023 Zhejiang Uniview Technologies Co., Ltd. All rights reserved.

\*Product specifications and availability are subject to change without notice.