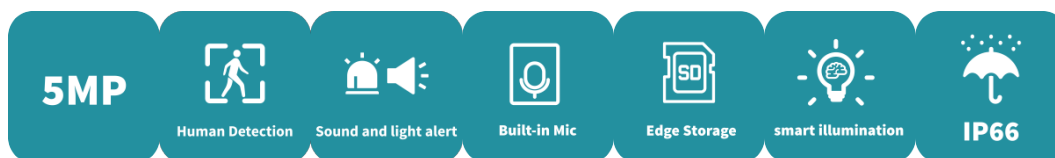


5MP ColorHunter with Wise-ISP Outdoor Pan & Tilt Wi-Fi Camera

Uho-P3C-M5F4



Features

- High quality image with 5MP, 1/1.8"CMOS sensor and F1.0 large aperture lens
- 5MP (2880*1620)@25/20fps; 4MP (2560*1440)@25/20fps; 3MP (2304*1296)@30/25fps; 2MP (1920*1080)@30/25fps;
- Ultra 265, H.265, H.264
- Colorhunter with Wise-ISP technology ensures 24-hour full-color images
- Support digital WDR (Wide Dynamic Range)
- Built-in Mic & Speaker, support two-way audio, offer better interaction
- Support sound and light warning, makes warning and alarming more noticeable
- Warm Light, up to 30m warm light distance
- Supports 512 GB Micro SD card
- Wi-Fi connection and easy installation
- IP66 ingress protection

Specifications

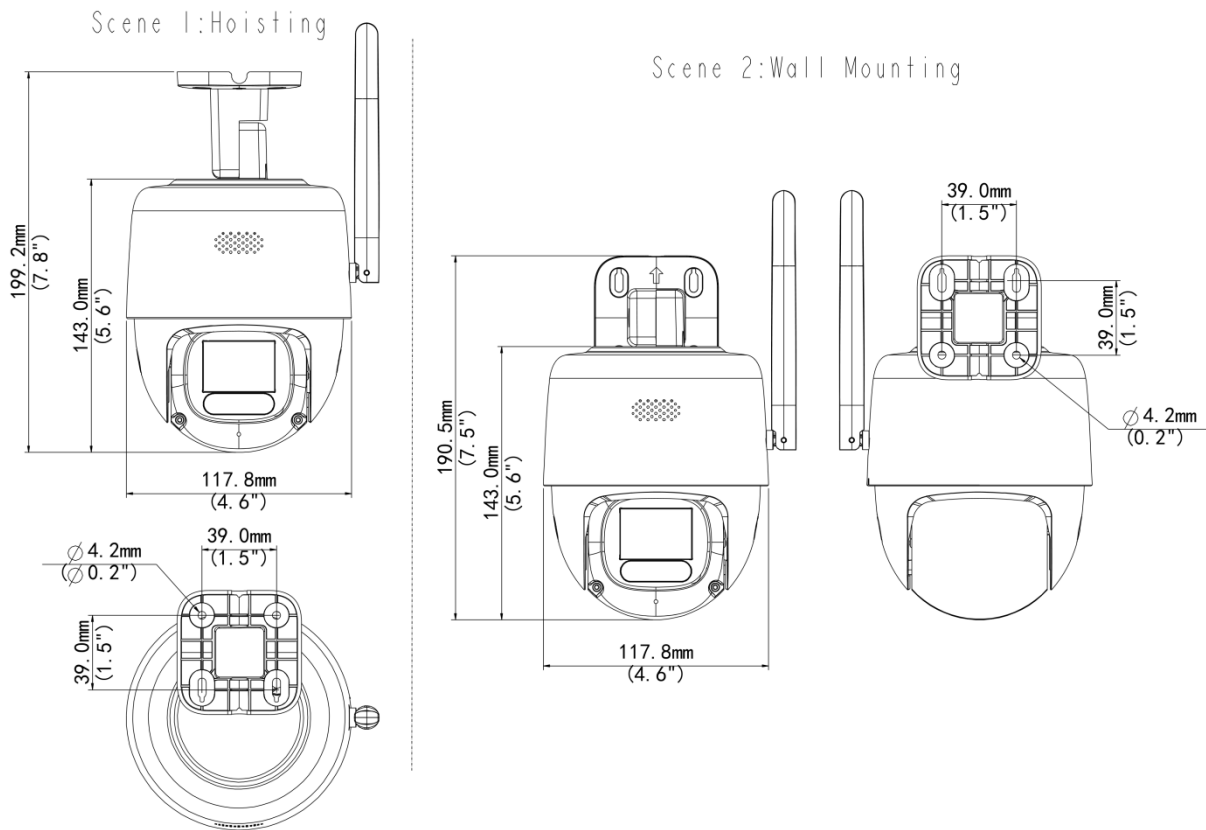
| | |
|------------------------------------|----------------------------------|
| Model | Uho-P3C-M5F4 |
| Camera | |
| Max Resolution | 5 MP |
| Sensor | 1/1.8" CMOS |
| Min. Illumination | Colour: 0.0003Lux (F1.0, AGC ON) |
| Shutter | Auto/Manual, 1 to 1/100000 s |
| S/N | >52 dB |
| WDR | DWDR |
| Lens | |
| Digital Zoom | 4X |
| Focal Length | 4.0 mm |
| Iris Type | Fixed |
| Iris | F1.0 |
| Field of View (H) | 89.4° |
| Field of View (V) | 48.2° |
| Field of View (D) | 94.7° |
| Lens Type | Fixed |
| DORI | |
| DORI Distance (Lens) | 4.0mm |
| DORI Distance (Detect) | 62.1(203.6ft) |
| DORI Distance (Observe) | 24.8(81.5ft) |
| DORI Distance (Recognize) | 12.4(40.7ft) |
| DORI Distance (Identify) | 6.2(20.4ft) |
| Illuminator | |
| Supplemental Light | Warm light |
| Illumination Distance (Warm Light) | 30 m (98.4 ft) |
| IR On/Off Control | Auto/Manual |
| Video | |
| Video Compression | Ultra 265, H.265, H.264 |

| | |
|-------------------------|--|
| Frame Rate | Main Stream: 5MP (2880*1620), Max 25fps; 4MP (2560*1440), Max 25fps; 3MP (2304*1296), Max 30fps; 2MP (1920*1080), Max 30fps; 720P (1280*720), Max 30fps; Sub Stream: 640*360, Max 30fps; 2CIF (704*288), Max 30fps; CIF (352*288), Max 30fps; |
| Video Bit Rate | 128 Kbps to 6144 Kbps |
| U-code | Support |
| OSD | Up to 4 OSDs |
| Privacy Mask | Support (only NVR) |
| ROI | Up to 8 areas |
| Video Stream | Dual Streams |
| Image | |
| White Balance | Auto, Outdoor, Fine Tune, Sodium Lamp, Locked, Auto2 |
| Digital Noise Reduction | 2D/3D DNR |
| Smart IR | Support |
| Flip | Normal, Flip Vertical, Flip Horizontal, 180° |
| Dewarping | N/A |
| HLC | N/A |
| BLC | N/A |
| Defog | Digital Defog |
| Events | |
| Basic Detection | Human Body Detection, Motion Detection, Audio Detection |
| General Function | IP Address Filtering, Access Policy, ARP Protection, RTSP Authentication, User Authentication, HTTP Authentication |
| Intelligent | |
| Auto Tracking | Support |
| Audio | |
| Audio Compression | G.711U, G.711A |
| Audio Bitrate | 64 Kbps |
| Two-way Audio | Support |
| Suppression | Support |
| Sampling Rate | 8 kHz |
| Storage | |

| | |
|------------------------|--|
| Edge Storage | Micro SD, up to 512 GB |
| Network Storage | ANR |
| Network | |
| Wi-Fi | 2.4G Wi-Fi (IEEE802.11b/g/n/ax), built-in antenna |
| Protocols | IPv4, TCP, UDP, DHCP, RTSP, DNS, DDNS, NTP, HTTP |
| Compatible Integration | API |
| Client | Uniarch Client, Uniarch app |
| Web Browser | Plug-in required live view: IE 10+, Chrome 45+, Firefox 52+, Edge 79+ |
| Wi-Fi | |
| Wireless Standards | IEEE802.11b/g/n/ax |
| Frequency Range | 2.4 GHz to 2.4835 GHz |
| Channel Bandwidth | 20/40 MHz Support |
| Modulation Mode | 802.11b: CCK 802.11g/n: OFDM 802.11ax: OFDMA |
| Wi-Fi Security | 64/128-bit WEP, WPA-PSK/WPA2-PSK |
| Transmit Power | 802.11b: 17±1.5 dBm@11 Mbps 802.11g: 16±1.5 dBm@54 Mbps 802.11n: 16±1.5 dBm@MCS7 802.11ax: 16±1.5 dBm@MCS9 |
| Receive Sensitivity | 802.11b: -76 dBm@11 Mbps (Typical) 802.11g: -65 dBm@54Mbps (Typical) 802.11n: -61 dBm@MCS7, HT40 (Typical) 802.11ax: -54 dBm@MCS9, HE40 (Typical) |
| Transmission Rate | 802.11b: 11 Mbps 802.11g: 54 Mbps 802.11n: up to 150 Mbps 802.11ax: up to 270 Mbps |
| PTZ | |
| Pan Range | 0° ~ 345° |
| Pan Speed | 1°/s ~ 40°/s Preset speed: 40°/s |
| Tilt Range | 0° ~ 90° |
| Tilt Speed | 1°/s ~ 30°/s Preset speed: 30°/s |
| Number of Presets | 20 |
| Interface | |
| Audio I/O | N/A |
| Alarm I/O | N/A |

| | |
|----------------------|--|
| Built-in Mic | Support |
| Built-in Speaker | Support |
| WIFI | Support |
| Network | 1 × RJ45 10 M/100 M Base-TX Ethernet |
| Certification | |
| EMC | CE-EMC (EN 55032, EN 61000-3-3, EN IEC 61000-3-2, EN 50130) FCC (FCC 47 CFR part15 B) |
| RF | FCC ID (FCC CFR 47 part15 C) CE RED (EN 301 489-1, EN 301 489-17, EN 300 328, EN 62311) |
| Safety | CE LVD (EN 62368-1) |
| Environment | CE-RoHS (2011/65/EU;(EU)2015/863); WEEE (2012/19/EU); |
| Protection | IP66 (IEC 60529) |
| General | |
| Power | DC 12V±25% Power consumption: Max 13.0W |
| Power Interface | Ø5.5 mm coaxial power plug |
| Dimensions | Φ118mm*118mm*199mm (Φ4.6"x 4.6"x 7.8") |
| Weight | 0.53kg (1.17lb) |
| Working Environment | -30 °C to 60 °C (-22 °F to 140 °F), Humidity: ≤ 95% RH (non-condensing) |
| Storage Environment | -30 °C to 60 °C (-22 °F to 140 °F), Humidity: ≤ 95% RH (non-condensing) |
| Surge Protection | 4 KV |
| Reset Button | Support |
| LED Indicator | 1, green |

Dimensions



Accessories

TR-JB05-A-IN

Small Bullet Junction Box(Support wiring from behind,Square)



TR-UP06-B-IN

Bullet Pole Mounting Bracket



TR-UP06-C-IN

Pole Mounting Bracket for Bullet Junction Box Only



TR-A01-IN

NPT 3/4" Waterproof Cable Gland



TR-UC08-C

Bullet&Dome Corner Mounting Bracket

**Zhejiang Uniview Technologies Co., Ltd.**

No. 369, Xietong Road, Xixing Sub-district, Binjiang District, Hangzhou City, 310051, Zhejiang Province, China (Zhejiang) Pilot Free Trade Zone, China

Email: overseasbusiness@uniview.com; globalsupport@uniview.com

<http://www.uniview.com>

©2024 Zhejiang Uniview Technologies Co., Ltd. All rights reserved.

*Product specifications and availability are subject to change without notice.

*Despite our best efforts, technical or typographical errors may exist in this document. Uniview cannot be held responsible for any such errors and reserves the right to change the contents of this document without prior notice.