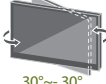
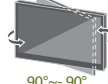
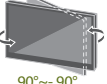
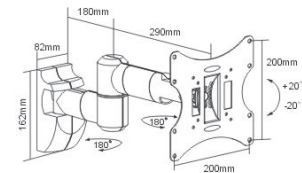
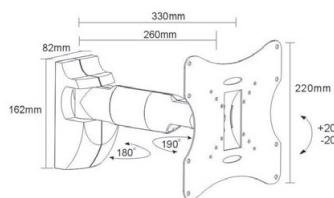
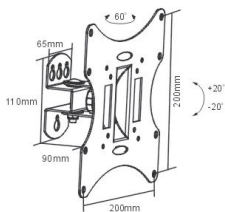
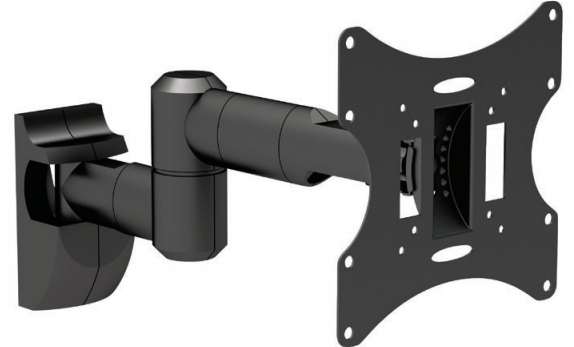
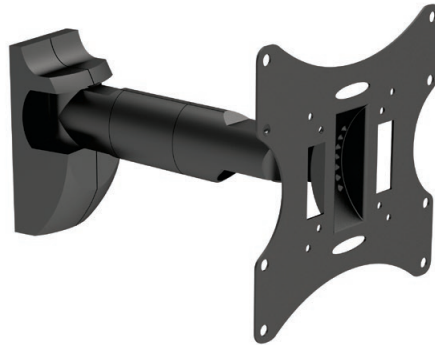


LCD-A501K, 502K, 503K

<p>LCD-A501K</p>  <p>30°~30°</p> <p>MOST 23"-42" MAX. VESA 200x200</p> <p>RATED 30kg/66lbs</p> <p>90mm</p>	<p>LCD-A502K</p>  <p>90°~90°</p> <p>MOST 23"-42" MAX. VESA 200x200</p> <p>RATED 30kg/66lbs</p> <p>92-330mm</p> <p>Cable Management</p>	<p>LCD-A503K</p>  <p>90°~90°</p> <p>MOST 23"-42" MAX. VESA 200x200</p> <p>RATED 30kg/66lbs</p> <p>89-466mm</p> <p>Cable Management</p>
--	--	--



Features

- Tilting and swivelling
- Max. VESA 200x200
- Rated load max. 30 kg
- Cable management system

	LCD-A501K	LCD-A502K	LCD-A503K
Material	Steel	Steel	Steel
Color	Black	Black	Black
Installation	Wall	Wall	Wall
Rated Load	max. 30 kg	max. 30 kg	max. 30 kg
Tilt	-20°~+20°	-20°~+20°	-20°~+20°
Swivelling	-30°~+30°	-90°~+90°	-90°~+90°
Cable management	-	Yes	Yes
EAN	5099091008267	5099091008274	5099091008281