

Key Features

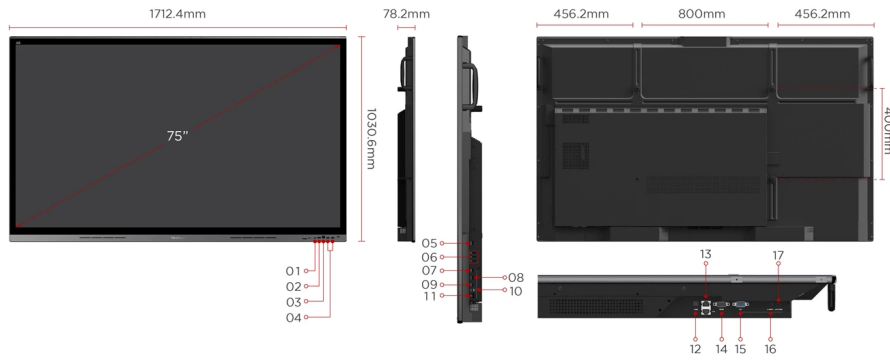
- Superb 4K UHD display panel with UFT+ technology, and 20-points multi-touch
- One-stop premium conference solution with compatible ViewSonic conference speakerphone and camera
- Comprehensive I/O ports, vCastSender, and myViewBoard display
- Built-in USB Type-C for simultaneous 65W fast charge and visual display
- Centralised IT management and content display by myViewBoard Manager



Product Description

ViewSonic ViewBoard 62 series is an unparalleled large-format interactive display that propels collaborators to achieve effective and robust results. The bezel-less 4K UHD display panel is a gateway to a new visual quality and immersive meeting space. Indulge in the maximised precision of true-to-life handwriting strokes thanks to the UFT+ Technology, 20-points multi-touch with multi-grade pen pressure. Compatible with ViewSonic conference speakerphone (VB-AUD-201) and all-in-one video conference camera (VB-CAM-201) systems. The ViewBoard 62 series boasts pristine audio and a pixel-perfect image, making it a powerful one-stop meeting station. Furthermore, it allows multiple connections, including comprehensive I/O ports, vCastSender, and myViewBoard Display, as well as built-in USB type-C ports supporting 65W fast charge and top-notch display at the same time. As an undoubted enhancement, the built-in myViewBoard Manager is an intuitive and effortless tool for IT and MIS systems that enables centralised IT control and multi-media presentation.





- 1. USB-C
- 2. HDMI In
- 3. Touch out
- 4. USB-A
- 5. HDMI out
- 6. USB-A
- 7. HDMI in 1

- 8. HDMI in 2
- 9. HDMI in 3
- 10. Touch
- 11. USB-A
- 12. SPDIF
- 13. LAN
- 14. RS232

- 15. VGA
- 16. Audio in
- 17. Audio out

Visit Us www.viewsonic.com



DISPLAY

| | |
|--------------------|--|
| Panel Size: | 75" |
| Panel Type: | TFT LCD Module with DLED Backlight |
| Display Area (mm): | 1650.24(H) x 928.26(V) |
| Aspect Ratio: | 16:9 |
| Resolution: | UHD 3840x2160(Pixels) |
| Colours: | 1.07B (8bits + FRC) |
| Brightness: | 400 nits (typ.), 450 nits (max.) |
| Contrast Ratio: | 5000:1 Typ. |
| Response Time: | 8.5ms |
| Viewing Angles: | H = 178, V = 178 typ. |
| Surface Treatment: | Hardness: 9H pencil |
| Bezel: | Top: 38.7 mm Bottom: 63.6 mm Left: 31.1 mm Right: 31.1 mm |

PLATFORM

| | |
|------------|-----------------------------|
| Processor: | Dual core A73+Dual core A53 |
| RAM: | 3GB DDR4 |
| Storage: | 32GB eMMC |

TOUCH

| | |
|-------------------|---|
| Type/ Tech: | Ultra Fine Touch Plus Technology (Projected Capacitive) |
| Touch Resolution: | 32767 x 32767 |
| Touch Point: | 20 |

INPUT

| | |
|------------------|---|
| HDMI: | x4 |
| RGB / VGA: | x1 |
| Audio: | 1x PC-Audio IN |
| MIC(Microphone): | Full band 6-element MEMS microphone array |
| RS232: | x1 |
| OPS: | x1 |
| WiFi: | x1 |

OUTPUT

| | |
|--------|----|
| HDMI: | x1 |
| Audio: | x1 |
| SPDIF: | x1 |

LAN

| | |
|-------|----|
| RJ45: | x2 |
|-------|----|

USB

| | |
|---------|----|
| Type A: | x6 |
| Type B: | x2 |
| Type C: | x1 |

SPEAKERS

| |
|-----------------------------|
| 12W x 2 + 15W x 1 Subwoofer |
|-----------------------------|

BUNDLE SOFTWARE

| | |
|----------------------------|---|
| Basic Annotation Software: | myViewBoard WhiteBoard for Android |
| Pro Annotation Software: | myViewBoard WhiteBoard for Windows (Embedded in Windows Slot-in PC) |
| Wireless Presentation: | ViewBoard Cast & myViewBoard Display & AirServer |

SPECIAL FEATURES

| | |
|--|-----|
| Simple LAN sharing between IFP and slot-in device: | Yes |
|--|-----|

POWER

| | |
|--------------|-------------------------------|
| Voltage: | 100-240VAC +/- 10% Wide Range |
| Consumption: | On: 130W(Typ.) / Off: < 0.5W |

OPERATING CONDITIONS

| | |
|--------------------|-----------------------------|
| Temperature (° C): | 0°C to 40°C |
| Humidity: | 20% ~ 80% RH non-condensing |

DIMENSIONS (W X H X D)

| | |
|------------------------|--|
| Physical (inch / mm): | 67.4 x 40.6 x 3.1 in / 1712 x 1031 x 78 mm |
| Packaging (inch / mm): | 72.8 x 44.1 x 10.6 in / 1848 x 1121 x 270 mm |

WEIGHT

| | |
|------------------|----------------------|
| Net (lb / kg): | 110.34 lb / 50.05 kg |
| Gross (lb / kg): | 146.17 lb / 66.3 kg |

REGULATIONS

cTUVus, FCC/ICES003, Energy star 8.0, EPEAT, Mexico NOM, Mexico Energy, EMC/CE, CB/LVD, GOST-R / EAC, UkrSEPRO, UKCA, LBL, Green BOM, RoHS, ErP, REACH, SCIP, WEEE, TPCH, CA65, PAIA

PACKAGE CONTENTS

1. Power cable
2. Remote control
3. AAA battery X2
4. USB cable Type C
5. Passive stylus x 2
6. Quick Start Guide
7. Compliance statement
8. RS232 adaptor
9. Plate
10. Clamp x 5
11. Screw x 8
12. HDMI cable
13. Touch USB cable

COMPATIBLE SLOT-IN PC

VPC25-O-B series, VPC27-O-B series

