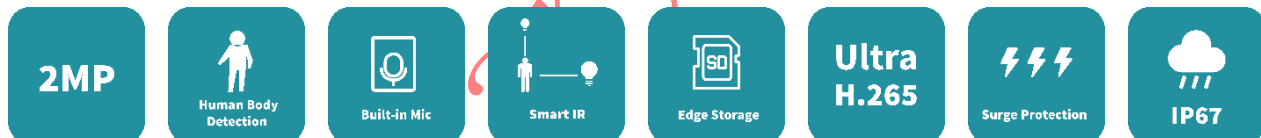


## 2MP HD Outdoor Bullet Wi-Fi Camera

Uho-B2R-M2F(3)4



### Key Features



- High quality image with 2MP, 1/3.0" CMOS sensor and F1.6 aperture lens
- 2MP (1920\*1080)@30/25fps; 720P (1280\*720)@30/25fps
- Ultra 265, H.265, H.264, MJPEG
- Built-in Mic
- Built-in Speaker
- Smart IR, up to 20m (66ft) IR distance
- Support 128 G Micro SD card
- Wi-Fi connection and easy installation
- IP67 protection
- 3-Axis

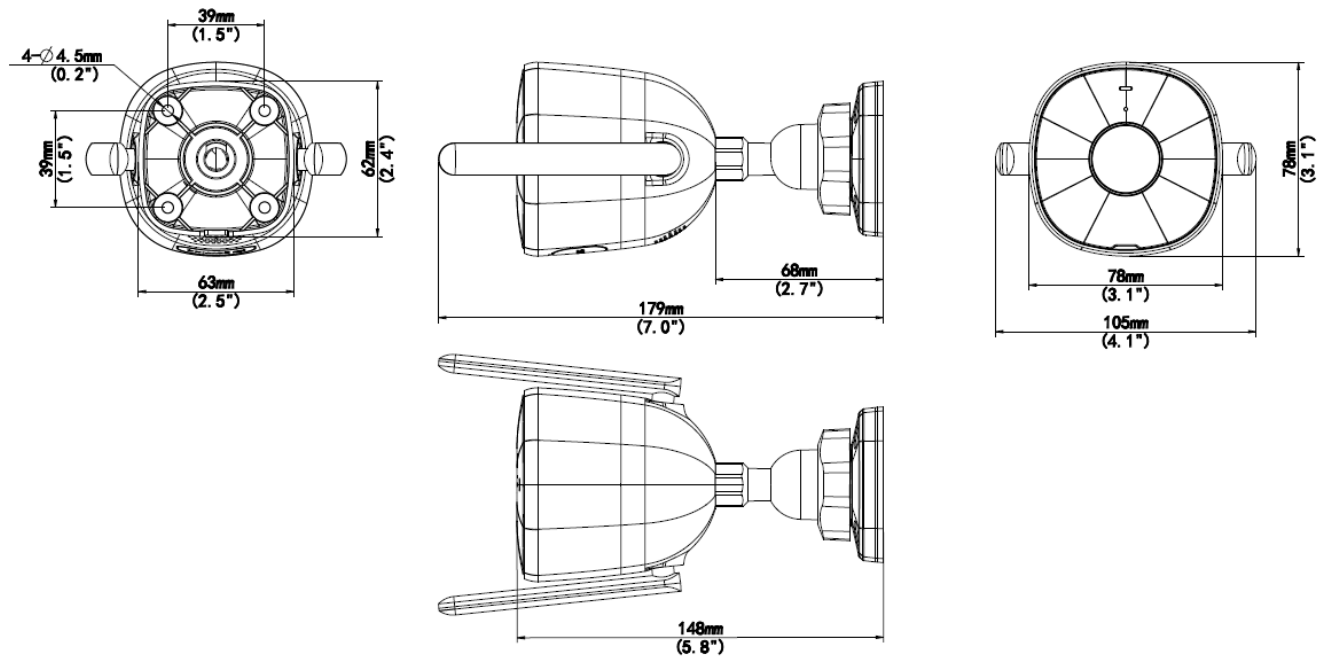
## Specifications

	Uho-B2R-M2F3	Uho-B2R-M2F4			
<b>Camera</b>					
Sensor	1/3.0", 2.0 megapixel, progressive scan, CMOS				
Minimum Illumination	Colour: 0.003 lux (F1.6 AGC ON) 0 lux with IR on				
Day/Night	IR-cut filter with auto switch (ICR)				
Shutter	Auto/Manual, 1 ~ 1/100000s				
Adjustment angle	Pan: 0°~360°	Tilt: 0°~90°	Rotate: 0°~360°		
S/N	>52dB				
WDR	DWDR				
<b>Lens</b>					
Lens Type	2.8mm@F1.6	4.0mm@F1.6			
Iris	Fixed				
Field of View (H)	97.5°	80.2°			
Field of View (V)	52.9°	42.9°			
Field of View (D)	108.0°	86.0°			
<b>DORI</b>					
DORI Distance	Lens	Detect(m)	Observe(m)	Recognize(m)	Identify(m)
	2.8mm	46.7	18.7	9.3	4.7
	4.0mm	66.7	26.7	13.3	6.7
<b>Illuminator</b>					
IR Range	Up to 20m (66ft)				
Wavelength	850nm				
IR On/Off Control	Auto/Manual				
<b>Video</b>					
Video Compression	Ultra 265, H.265, H.264				
H.264 code profile	Baseline profile, Main profile, High profile				
Frame Rate	Main Stream: 1080P (1920*1080), Max 30fps; 720P (1280*720), Max 30fps; Sub Stream: 640*360, Max 30fps; 2CIF(704*288), Max 30fps; CIF(352*288), Max 30fps;				
Video Bit Rate	128 Kbps~6 Mbps				
U-code	Support				
OSD	Up to 4 OSDs				
Privacy Mask	Up to 4 areas				
ROI	Up to 8 areas				
Video stream	Dual streams				
<b>Image</b>					
White Balance	Auto/Outdoor/Fine Tune/Sodium Lamp/Locked/Auto2				
Digital Noise Reduction	2D/3D DNR				
Smart IR	Support				
Flip	Normal/Vertical/Horizontal/180°				
Dewarping	N/A				
HLC	N/A				

BLC	N/A
Defog	Digital Defog
Events	
Basic Detection	Human body detection, Motion detection, Audio detection, Tampering alarm
General Function	IP address filtering, Access policy, ARP protection, RTSP authentication, User authentication, HTTP authentication
Audio	
Audio Compression	G.711U, G.711A
Audio Bitrate	64 Kbps
Two-way Audio	Support
Suppression	Support
Sampling Rate	8KHZ
Storage	
Edge Storage	Micro SD, up to 128GB
Network Storage	ANR
Network	
Wi-Fi	2.4G Wi-Fi (IEEE802.11b/g/n), built-in antenna
Protocols	IPv4, TCP, UDP, DHCP, RTSP, DNS, DDNS, NTP, HTTP
Compatible Integration	API , SDK
User/Host	Up to 6 users. 2 user levels: administrator and common user
Client	Uniarch Client Uniarch APP
Web Browser	Plug-in required live view: IE 10 and above, Chrome 45 and above, Firefox 52 and above, Edge 79 and above
	Plug-in free live view: Chrome 57.0 and above, Firefox 58.0 and above, Edge 16 and above
Interface	
Audio I/O	N/A
Alarm I/O	N/A
Built-in Mic	Support
Built-in Speaker	Support
WIFI	Support
Network	1 * RJ45 10M/100M Base-TX Ethernet
Video Output	N/A
Certifications	
EMC	CE EMC (EN 55032,EN 61000-3-3,EN IEC 61000-3-2,EN 55035) FCC (FCC 47 CFR part15 B)
RF	FCC ID (FCC CFR 47 part15 C) CE RED (EN 301 489-1, EN 301 489-17, EN 300 328, EN 62311)
Safety	CE LVD (EN 62368-1)
Environment	CE-RoHS (2011/65/EU;(EU)2015/863); WEEE (2012/19/EU)
Protection	IP67 (IEC 60529)
General	
Power	DC 12V±25%
	Power consumption: Max 5.6W
Power Interface	Ø 5.5mm coaxial power plug
Dimensions (L x W x H)	148 × 78 × 78mm (5.8" × 3.1" × 3.1")

Weight	0.31 kg (0.68 lb)
Material	Metal + Plastic
Working Environment	-30°C~60°C(-22°F ~ 140°F), Humidity: ≤95% RH (non-condensing)
Storage Environment	-30°C~60°C(-22°F ~ 140°F), Humidity: ≤95% RH (non-condensing)
Surge Protection	4KV
Reset Button	Support
LED indicator	1, red/blue

## Dimensions



## Accessories

TR-UP06-B-IN

Pole Mount



TR-JB05-A-IN

Junction Box



TR-UP06-C-IN

Pole Mount



TR-A01-IN

Waterproof Joint



[www.uniview.com/uniarch](http://www.uniview.com/uniarch)

©2023 Zhejiang Uniview Technologies Co., Ltd. All rights reserved.

\*Product specifications and availability are subject to change without notice.