

8/16-Port Combo KVM Switch

KVM-210-08/KVM-210-16



Outlines

- ◆ Introduction
- ◆ Product Benefits
- ◆ Product Positioning
- ◆ Product Overview
- ◆ Product Features
- ◆ Applications
- ◆ Comparison
- ◆ Appendix



*Saves Cost, Time, Space
and Energy!*

- VGA Output**

- Hot Key**

- Windows Base**

- Linux**




16 KVM Switches
(256 PCs Max.)

LED Status

Back

Combo Interface

16-Port Combo KVM Series

Product Benefits



Product Benefits

- ◆ Save Your **Cost, Time, Space and Energy**



- ◆ Control multiple servers from a single console (Keyboard, Mouse, and Monitor)



Product Positioning



Product Positioning



◆ PLANET Combo KVM Switch Family



Rack KVM Switches

LCD KVM Switches

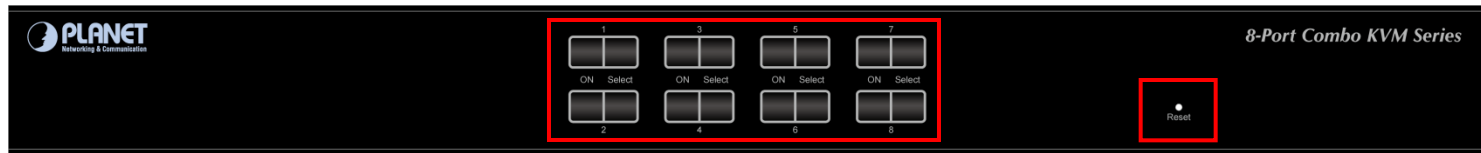
Product Overview



Product Overview

◆ Front Panel

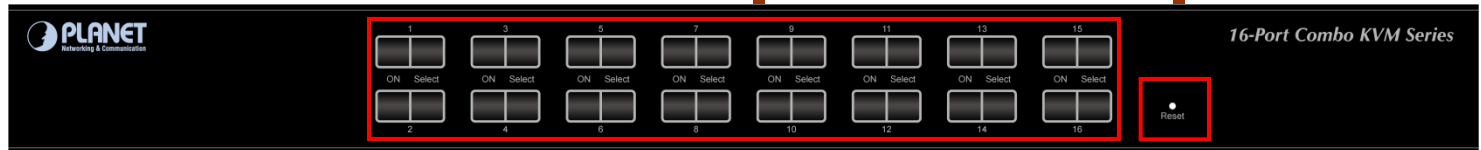
- ✓ **Dimensions: 432* 155 * 44 mm (W x D x H)**
- ✓ **Weight: 2.22KG**



KVM-210-08

LED Status & Select button

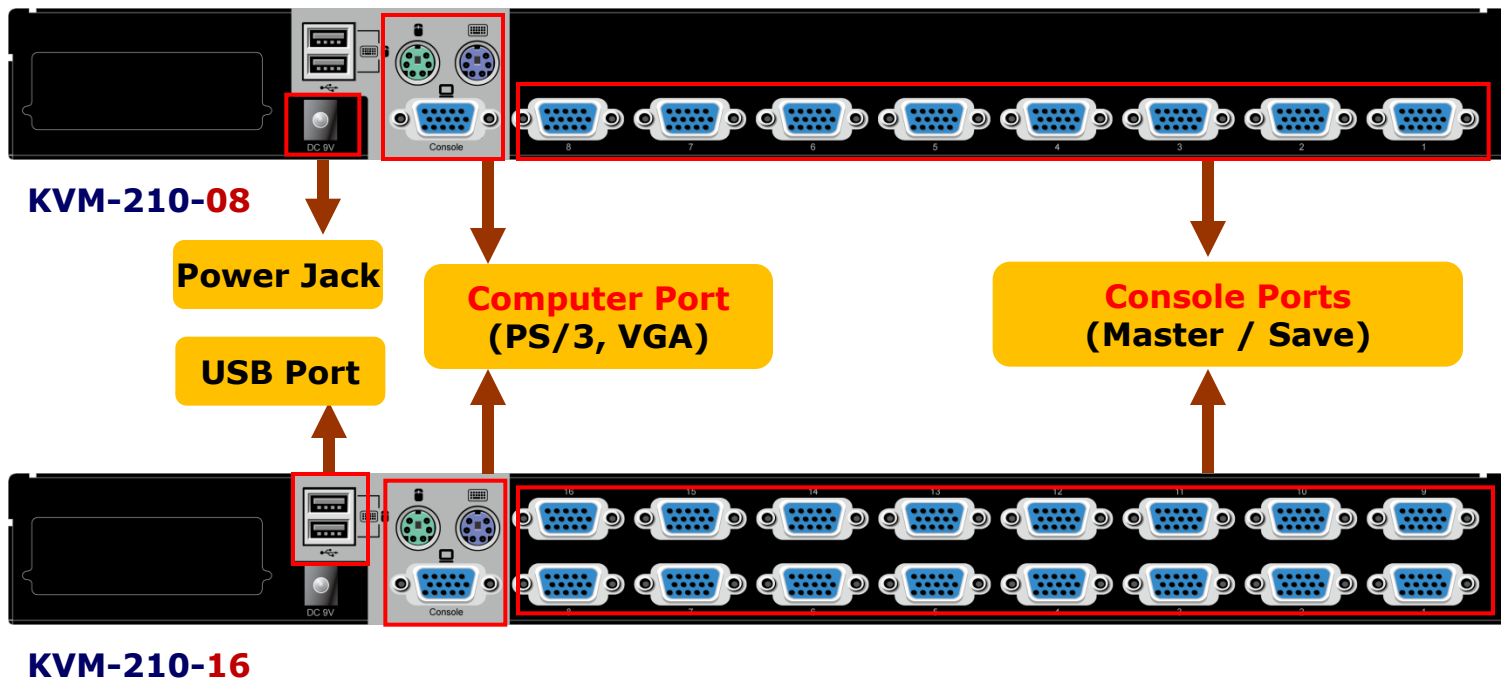
Reset



KVM-210-16

Product Overview

◆ Rear Panel



Product Features



Product Features

- ◆ **Advanced Combo KVM Management Functions**

Easily Control Servers with Flexibility

Computer Switching with Hotkeys and OSD

Flexible LED Display & Easy to Install

Two Level Password Security Protection

Powerful Mouse/Keyboard Support

Product Features

◆ Easily Control Servers with Flexibility

- ✓ PLANET offers an ideal enterprise 8/16-port KVM switch solution for company server room or testing facilities

LED Status

16 KVM Switches
(**256 PCs Max.**)

Back

Combo Interface

Saves Cost, Time, Space and Energy!

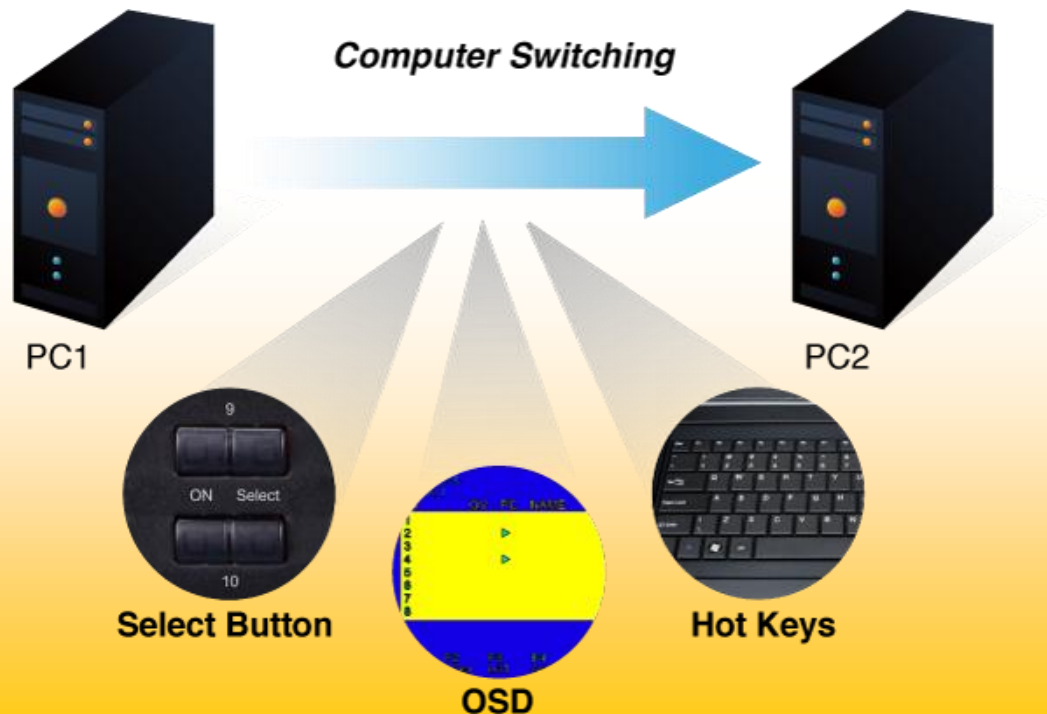
VGA Output Hot Key Windows Base Linux

Product Features

◆ Computer Switching

✓ There are three convenient methods to access any computer connected to the installation:

- Port select button
- Hotkeys on keyboard
- OSD (on screen display)



Product Features

◆ Flexible LED Display

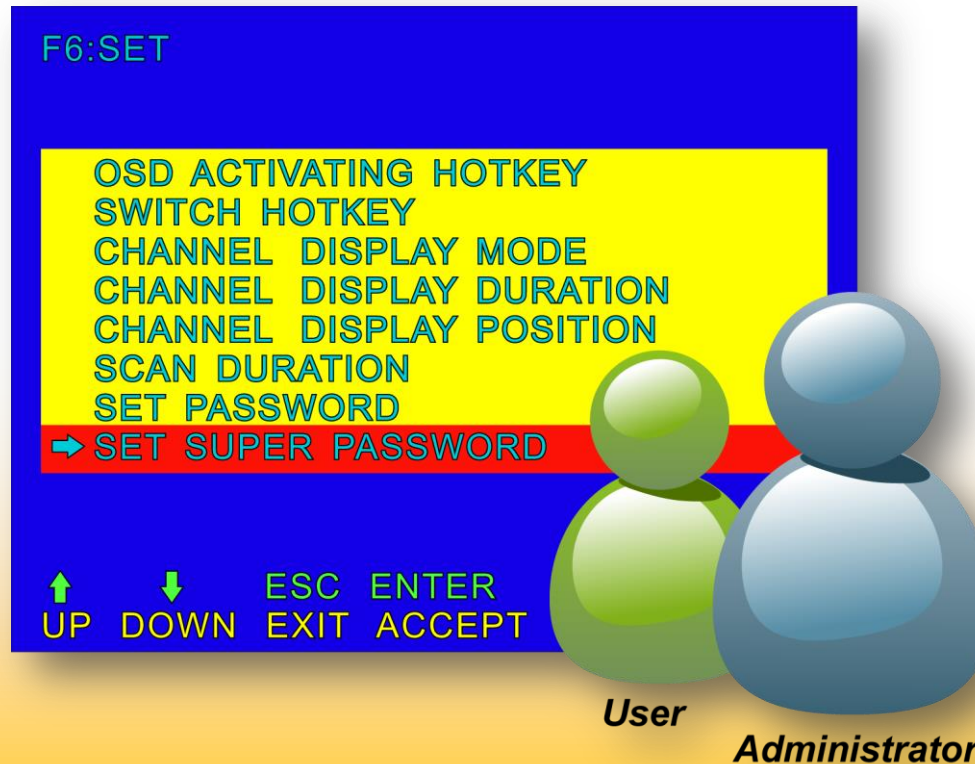
- ✓ You could check the computer status on the front LED of the KVM-210 Series. "Red" indicates that a computer is connected to the corresponding port and "Green" indicates that the computer connected to the corresponding port has focus.



Product Features

◆ Two Level Password Security Protection

- ✓ Two level password security only authorizes up to one user and an administrator with a separate profile for each user.



Product Features

◆ Hardware

- ✓ **1U rack-mount** size and desktop design
- ✓ Standalone machine controls up to **8/16** sets of computers
- ✓ Up to **2 levels** can be cascaded and up to **64/256** computers can be controlled
- ✓ Front panel status **LEDs** give a clear indication of the active computers
- ✓ Supports a high resolution of up to **2048 x 1536** and **350MHz** of bandwidth

◆ Security

- ✓ **Two-layer** password security protection

Product Features

◆ Management

- ✓ **Auto scan** mode for monitoring computers
- ✓ Requires no additional software or hardware
- ✓ Computer selection via Port **Select Button**, **Hotkey** and **On Screen Display (OSD)**
- ✓ **Hot pluggable**: Add or remove computers without having to power down the switch
- ✓ **QVS (Quick View Setting)**: Quickly select your computer by naming or SN number

◆ Compatibility

- ✓ **Multiplatform support -- Windows, Linux and Sun**
- ✓ **Supports Microsoft Intellimouse, Logitech Net Mouse and all other third party's PS/2 mice**

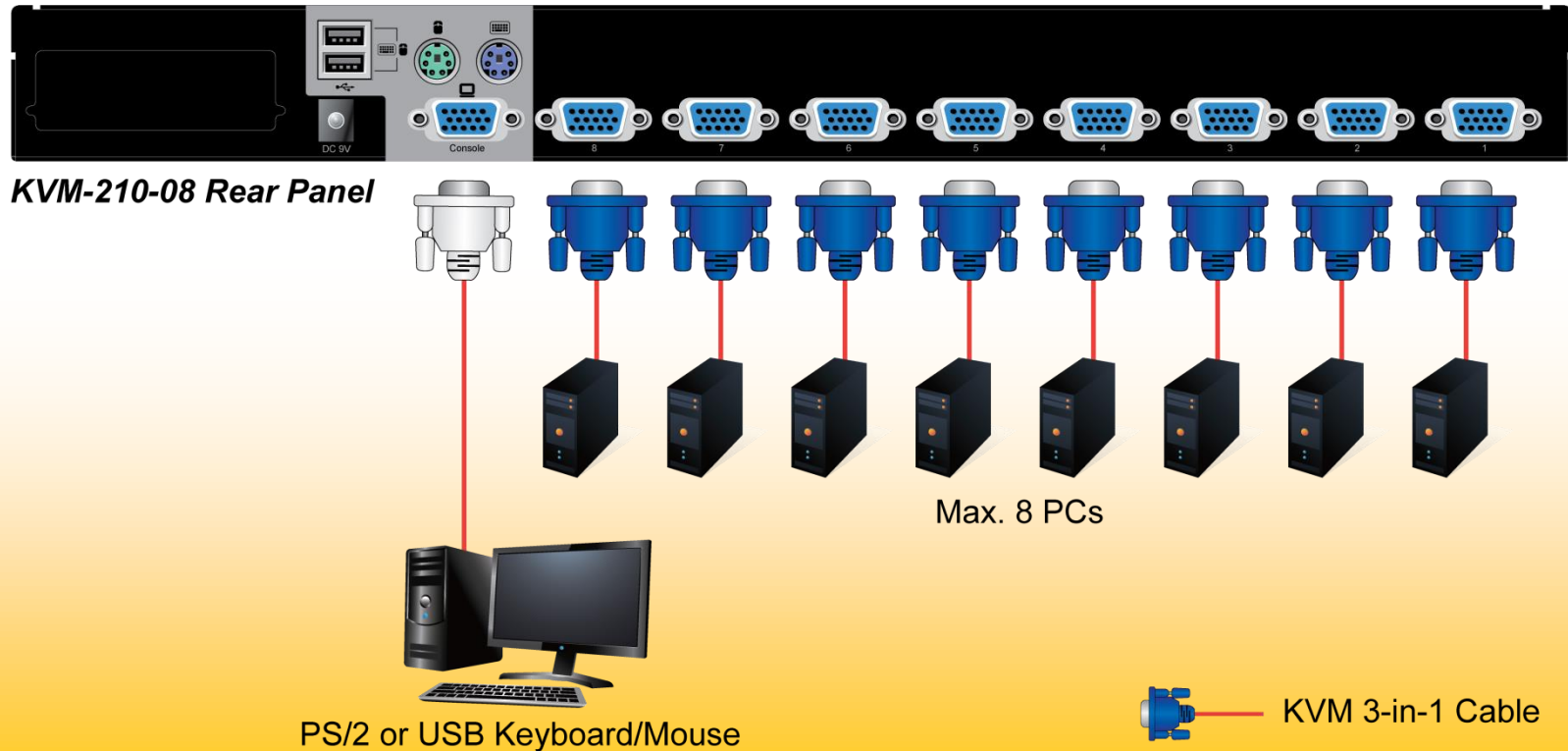
Product Applications



Applications

◆ Standalone Operation

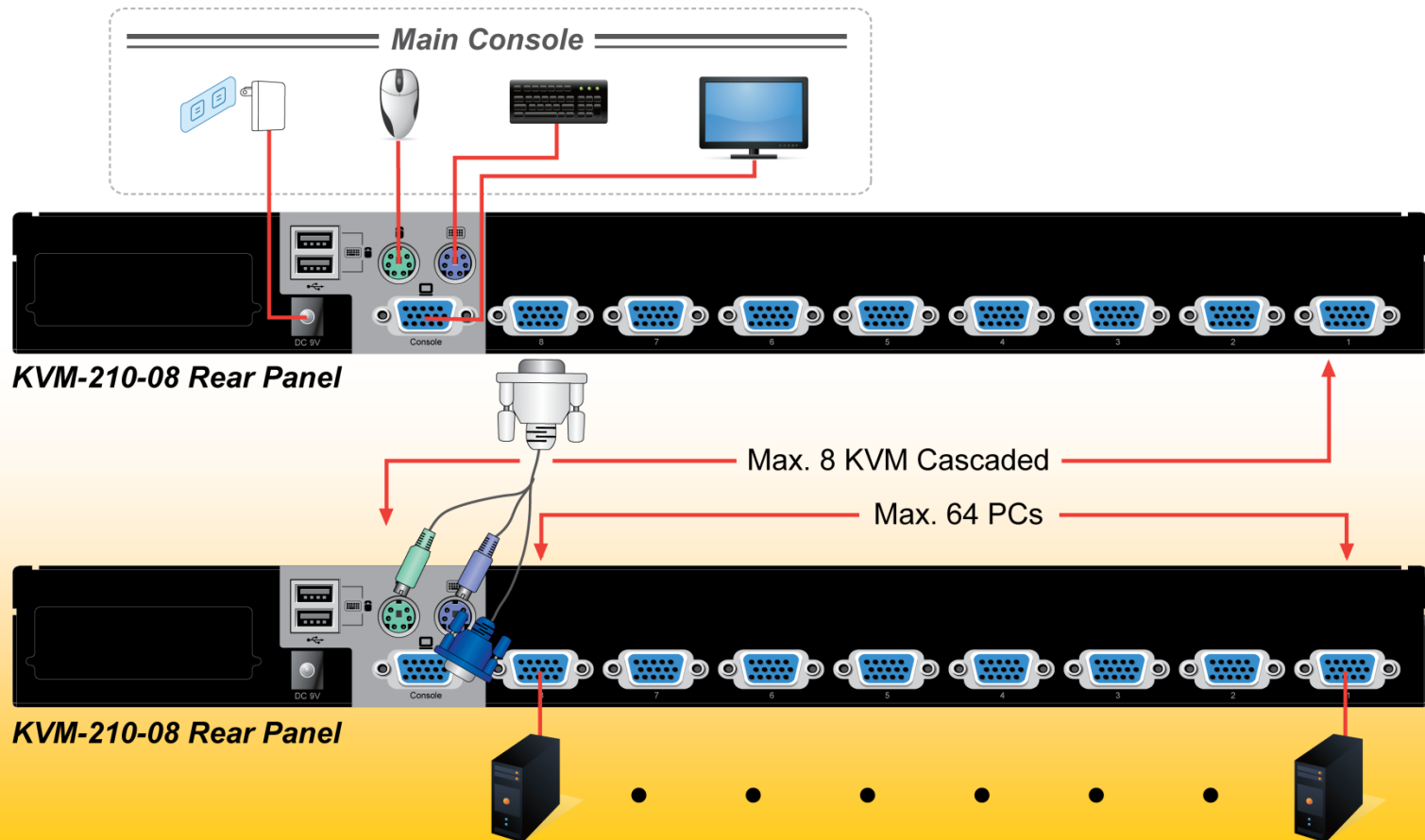
- ✓ The **KVM-210-08** allows access and controls up to **8** computers from a single console (Keyboard, mouse and monitor).



Applications

◆ Cascade Operation

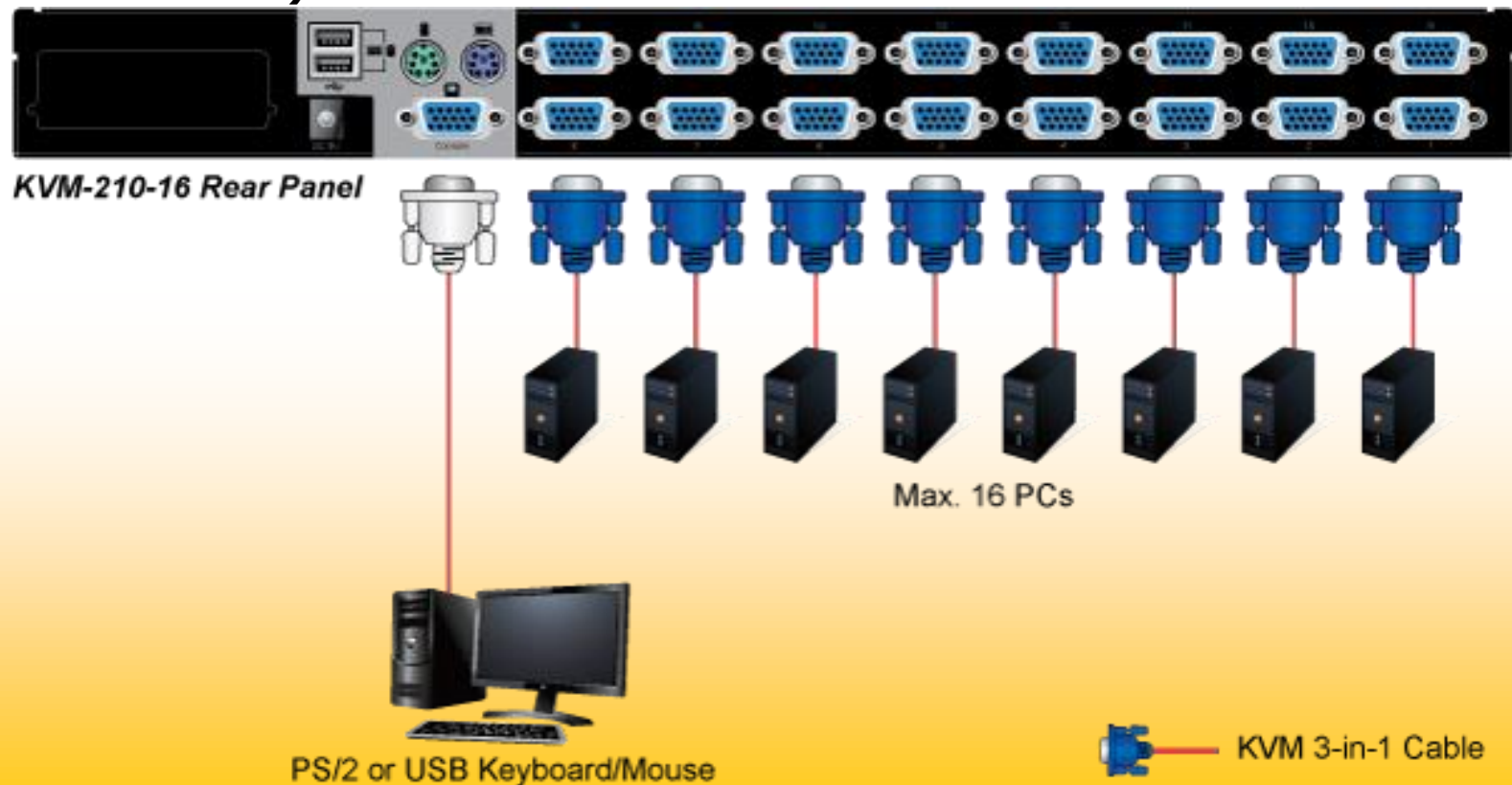
- ✓ By cascading to **8** KVM switches, it can control up to **64** servers.



Applications

◆ Standalone Operation

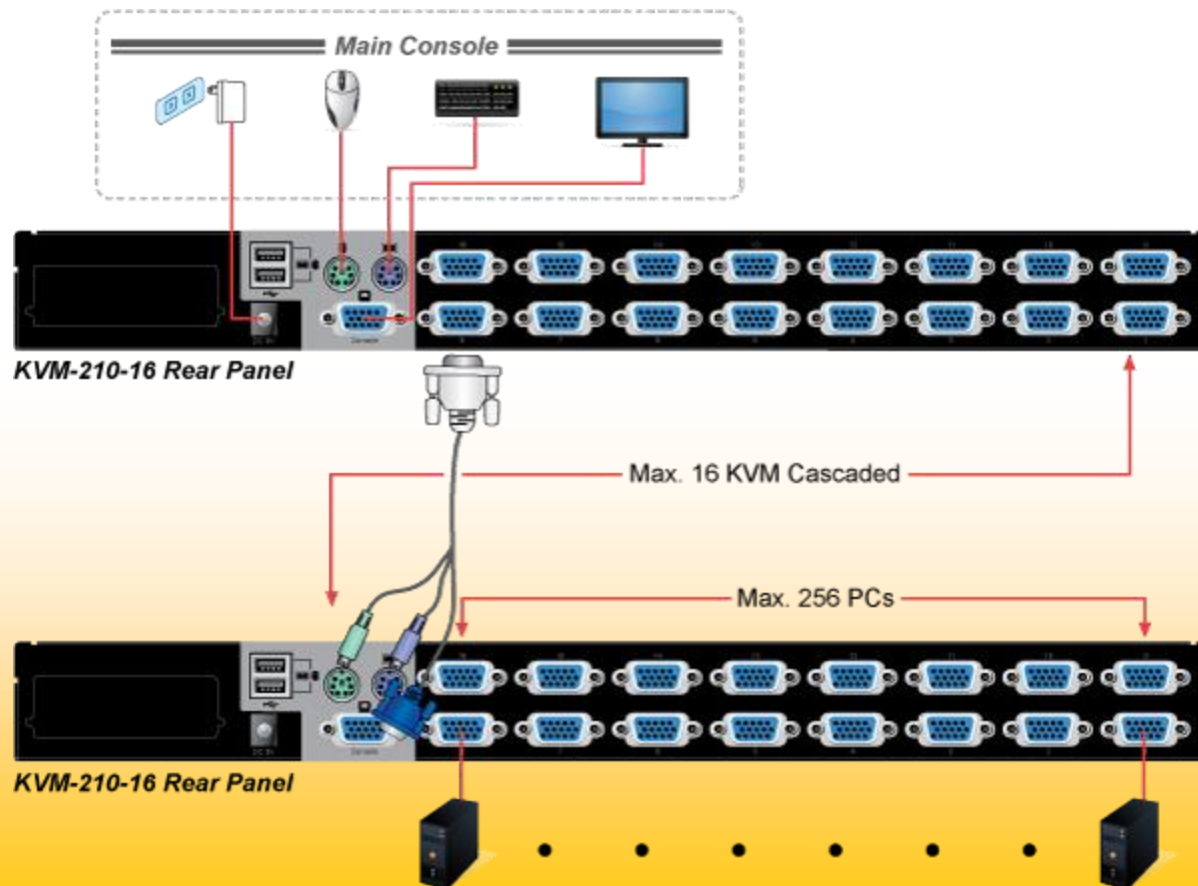
- ✓ The **KVM-210-16** allows access and controls up to **16** computers from a single console (Keyboard, mouse and monitor).



Applications

◆ Cascade Operation



- ✓ By cascading to **16** KVM switches, it can control up to **256** servers.





Product Comparison



Renewable Energy PoE Switch Comparison

Model		KVM-210-08	KVM-210-16
Features			
Product outlook			
Hardware			
Number of Ports		8	16
Maximum		64	256
PC Ports	Keyboard	PS/2 Female + USB Type A Female	
	Mouse	PS/2 Female + USB Type A Female	
	Video	8/16 x HDB-15 female	
Console Ports	Keyboard	PS/2 Female + USB Type A Female	
	Mouse	PS/2 Female + USB Type A Female	
	Video	1 x HDB-15 female	
Button		1 x Reset button 8 x Select button	1 x Reset button 16 x Select button

Renewable Energy PoE Switch Comparison

Model	KVM-210-08	KVM-210-16
Features		
Product outlook		
Hardware		
Video Resolution	2048 x 1536	
Installation	1U rack-mountable, desktop	
Dimensions (W x D x H)	432 x 155 x 44 mm	
Weight	2.2kg	
Operating Temperature	-10 ~ 50 degrees C	
Maximum		
PC Selection	Port select button Hotkeys on keyboard OSD (on screen display)	
Scan Interval	5~60 seconds	
Security	User password and Super password	

Appendix



Appendix Sales Target

◆ Target Markets

- ✓ **SMB Office**
- ✓ **Service Provider**
- ✓ **System Integrators**
- ✓ **Data Centers**
- ✓ **Education**
- ✓ **Government**
- ✓ **Banking & finance**

Appendix Sales Target

◆ Most Demandable Models

✓ **PLANET LCD KVM Devices:**

- 17" LCD KVM Devices: KVM-210-08M, KVM-210-16M

✓ **PLANET IP KVM Devices:**

- IP KVM: IKVM-210-08, IKVM-210-16
- LCD IP KVM Devices: IKVM-210-08M, IKVM-210-16M

✓ **Who buys 8/16-Port KVM Switch**

- KVM-810 / KVM-1610
- DKVM-1708 / DKVM-1716
- IKVM-17080 / IKVM-17160

Appendix






◆ Related Combo KVM and IP-Based KVM Switch:

Model Name		Description
KVM-210-08M		17" 8-Port Combo VGA LCD KVM Switch
KVM-210-16M		17" 16-Port Combo VGA LCD KVM Switch
IKVM-210-08		8-Port Combo IP KVM Switch
IKVM-210-16		16-Port Combo IP KVM Switch
IKVM-210-08M		17" 8-Port Combo VGA LCD IP KVM Switch
IKVM-210-16M		17" 16-Port Combo VGA LCD IP KVM Switch

Appendix

◆ Related KVM Cable Accessories

Model Name		Description
KVM-KC1-1.8		1.8M USB KVM Cable with built-in PS2 to USB Converter
KVM-KC1-3		3M USB KVM Cable with built-in PS2 to USB Converter
KVM-KC1-5		5M USB KVM Cable with built-in PS2 to USB Converter



ACTIVATING IP POWER